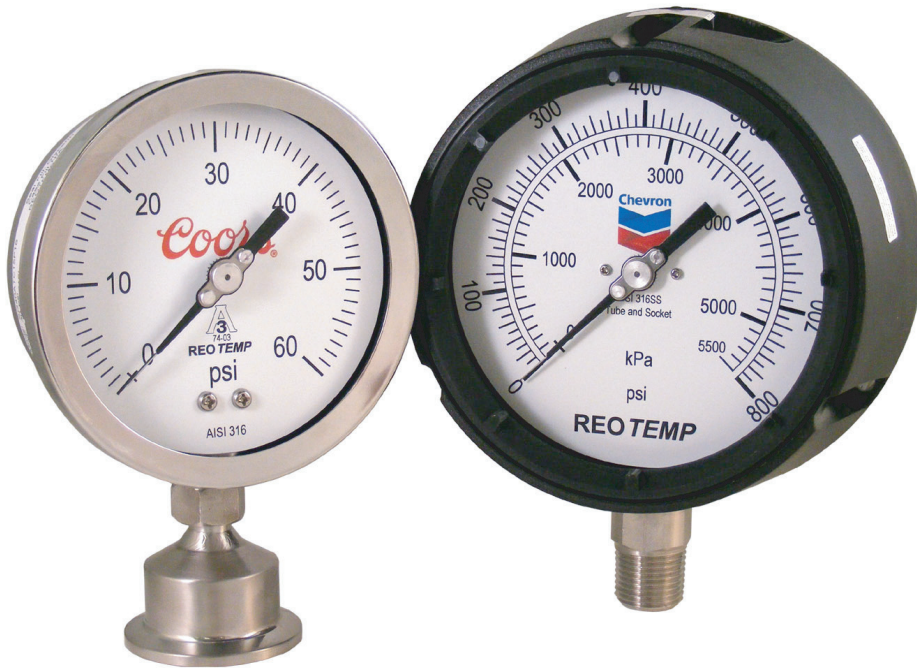


Custom Logo Dials

Does your customer want their logo on pressure gauges? Do you want your logo on our gauges?

With no set-up fees, private labeling pressure gauges has never been easier.



Features/Benefits:

- Increase your company's visibility
- No set-up fees
- 2.5"-6" dials available
- Any pressure range available
- 4-color printing available

Markets:

- Oil & Gas
- Power Generation
- Chemical
- Petrochemical
- Water/Wastewater
- Food & Beverage
- Pharmaceutical
- and more...

HOW TO ORDER

Gauge Part # — **PXCustom Logo**

Option:
PXCustomLogo = Custom
Logo Dial

**Standard 3-5 day
delivery**

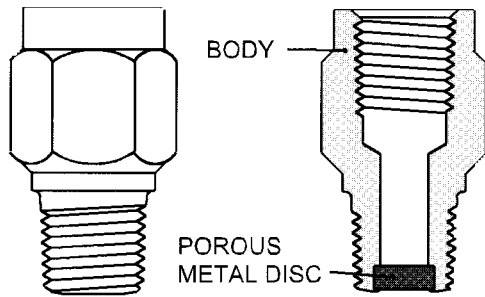
*Please provide 300 resolution jpegs or a vector file.

Distributed by:

REOTEMP Snubbers are a simple cost-effective solution to harmful pressure surges and pulsation. When a REOTEMP Snubber is installed it absorbs pulsation and surges - protecting your instrumentation and stabilizing the pointer for easier readings. Available in an adjustable self-cleaning piston design or economical porous disc type.



POROUS DISC TYPE

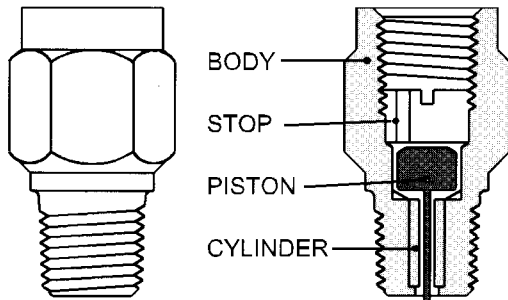


- Economical choice for non-clogging applications
- Different porosities available for various viscosities

Material	Max. PSI	NPT	Porosity	Part #
Brass	5,000	1/4	Liquid Gas	PXS-722BE PXS-722BG
		1/2	Liquid Gas	PXS-723BE PXS-723BG
303SS	15,000	1/4	Liquid Gas	PXS-722SE PXS-722SG
		1/2	Liquid Gas	PXS-723SE PXS-723SG

Other Porosities available: "D"= for thick oils
"HX" = for Hi-pressure gas

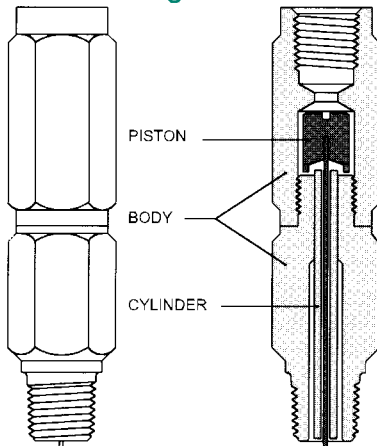
PISTON TYPE - Short Orifice



- Moving Piston Design for self-cleaning action
- Solid Body for High pressure resistance
- Three pistons included for adjustable snubbing

Material	Max. PSI	NPT	Length (in.)	Part #
Brass Monel	5,000	1/4	1.5	PXS-022B PXS-022M
303SS 316SS	15,000			PXS-022S PXS-022SS
Brass Monel	5,000	1/2	2.0	PXS-023B PXS-023M
303SS 316SS	15,000			PXS-023S PXS-023SS

PISTON TYPE - Long Orifice



- Moving Piston Design for self-cleaning action
- Long orifice for smoother snubbing
- Three pistons included for adjustable snubbing
- Center Joint (1/4" and brass models) for easier adjustment

Material	Max. PSI	NPT	Length (in.)	Part #
Brass	3,000	1/4	3.46	PXS-010B
303SS 316SS	5,000			PXS-010S PXS-010SS
Brass	5,000	1/2	3.61	PXS-060B
303SS 316SS	10,000			PXS-060S PXS-060SS

PRESSURE GAUGE ACCESSORIES

Siphons

Pigtail siphons are used in steam service to protect the instrument from direct exposure to high temperature steam.

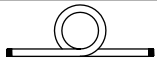





Common Siphon Part #'s

NPT	Material	Sched.	180 deg.	90 deg.	360 deg
1/4"	Steel	40	PXS21SS	PXS22SS	PXS24SS
1/4"		80	PXS21SX	PXS22SX	PXS24SX
1/2"		80	PXS51SX	PXS52SX	PXS54SX
1/4"	304SS	40	PXS214S	PXS224S	PXS244S
1/4"		80	PXS214X	PXS224X	PXS244X
1/2"		80	PXS514X	PXS524X	PXS544X
1/2"	316SS	40	PXS516S	PXS526S	PXS546S

How to Specify Siphons:

= normally in stock

PXS Pressure Accessory Siphon	2 (NPT)	1 (Style)	4 (Material)	X (Pipe Schedule)
	2= 1/4" 5= 1/2"	1=180°  2= 90°  3=270°  4=360° 	A=Carbon Steel (or alloy Stl Welded) S= Carbon Steel Seamless 4= 304SS 6= 316SS 1= Chrome Moly P11 2= Chrome Moly P22	S= Sch 40 X= Sch: 80 1= Sch 160 (1/2" only) D= xx heavy (1/2" only)

Gauge Cocks

1/4" NPT Brass, Max 100 p.s.i.



Female - Male Union
#PXG-3101



Female - Female
#PXG-1380



Female - Female
#PXG-1440

Restrictor Screws

A restrictor screw (or throttle screw) is threaded into the process opening of the pressure gauge and helps to dampen rapid pressure fluctuations. This reduces pointer flutter, and can prolong the life of the gauge. Many REOTEMP industrial gauges are shipped with restrictor screw installed.

Specify part # **PXR**.

ELECTRICAL (ALARM) CONTACTS

- Two easily adjustable setpoints
- Can be used to open or close on rise
- 0.7A max current (higher loads can be run through relay)
- Available on 4" dial (P/N **PXEM21-40**) or 4 1/2" dial (P/N **PXEM21-45**)



MAX POINTER INDICATORS

- Indicates max pressure reached
- Easily reset
- Liquid fillable (Works best dry, though)
- Available for:
 - 2 1/2" dial (**MP-PR25**)
 - 4" dial (**MP-PR40**)
 - 4 1/2" dial (**MP-PT45**)



CUSTOM DIALS

- REOTEMP** can provide custom dials with:
- Special Ranges or designs
 - Custom logos
 - Colored zones
- Consult factory for assistance with dial designs



OPTIONAL WINDOWS

- Polycarbonate
- Laminated Safety Glass
- Polysulfone (for autoclaving)

PRESSURE SERVICES

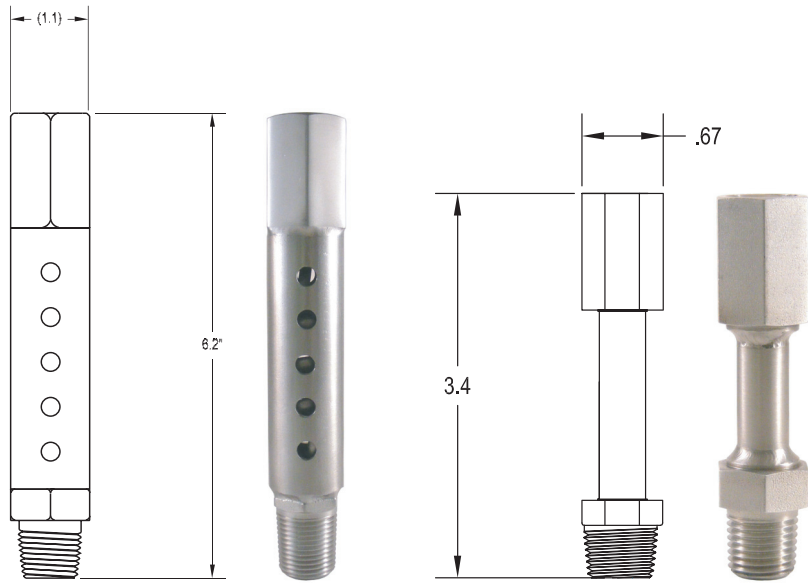
Pressure Instrument Repair Services– Reotemp will be glad to quote on your repair and servicing needs for pressure gauges, transmitters, switches, and diaphragm seal systems.

Calibration and Certification – Services include testing, calibration, and certification of pressure gauges, transmitters, switches, and diaphragm seal systems. All certification is NIST traceable.

Certificate Description	Part#
Conformance/ calibration to NIST	CNISTPG
General calibration sticker	CALSTKPG
3 Logged Points - sticker & Cert.	CCALPG-3
5 Logged Points - sticker & Cert.	CCALPG-5
Switch setpoint cert	CCALSW

Oxygen Cleaning - removes oil from gauge intended for oxygen service.

Diaphragm Seal Application Assistance - REOTEMP will assist you in designing and specifying the most effective diaphragm seal system for your pressure or vacuum application. Contact factory for details.

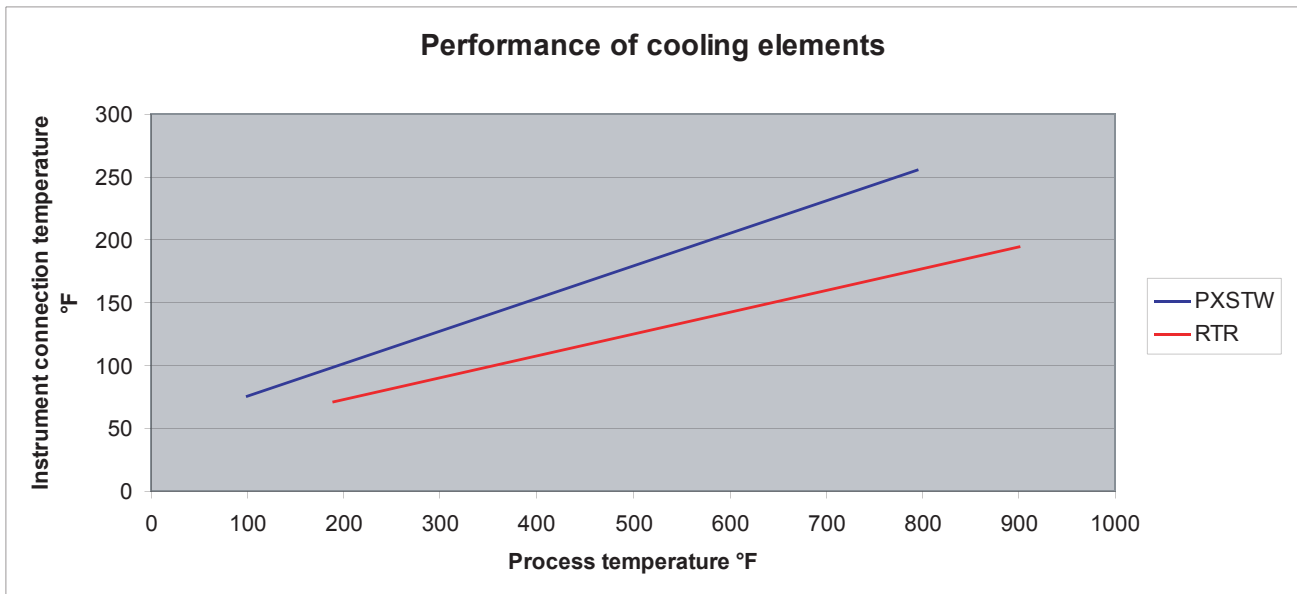


RTR (700°F Max., 6" std. length)
Shown as part # RTR2M2F

PXSTW (380°F Max., 3" std. length)
Shown as part # PXSTW4M4F3

Features:

- Protects pressure instruments from high process temperatures
- Reduces temperature while maintaining a direct mount
- All stainless steel construction
- Can be mounted above a diaphragm seal



HOW TO ORDER

PXSTW (380F Max.)
or RTR (700F Max.)

Instrument Fitting	Process Seal Fitting	Options
4M	4M	—
4M = 1/4" NPTM 4F = 1/4" NPTF 2M = 1/2" NPTM 2F = 1/2" NPTF W = weld fitting (10mm dia.)	4M = 1/4" NPTM 4F = 1/4" NPTF 2M = 1/2" NPTM 2F = 1/2" NPTF W = weld fitting (10mm dia.)	Exotic Materials Custom Lengths