

**tepo**

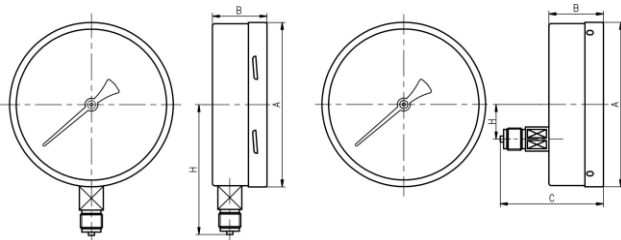
# Pressure Gauge Thermometer



**Technical Specifications****Range** -1-0 Bar to 0-600 Bar**Dial size** 100, 150 mm.**Accuracy** 1.6% (of full scale)**Working pressure** Steady 3/4 of full scale value

Fluctuating 3/2 of full scale value

Short time full scale value

**Working temp.** -40.. 70 °C (Relative humidity <85%)**Temperature effect** 0.6%/10 °C temperature deviates 20+/-5°C**Bourdon tube/Socket** Phospore-Bronze bourdon tube, brass socket**Welding** Silver solder**Movement** Brass**Case** St13 with black painted**Scale** White aluminium dial with black marking**Pointer** Aluminium black painted**Window** 3 mm. Plain glass or plexiglass**Connection** G1/2", 1/2" NPT, other threads available**Dimensions**

Diameter	A	B	C	H
100 Bottom	101	50		89
100 Back	100	45	80	32
150 Bottom	150	50		118
150 Back	150		95	32

*Notes: Dimensions are mm.***General Series Pressure Gauge****MN-S**

**Technical Specifications**

**Range** -1-0 Bar to 0 - 1000 Bar

**Dial size** 100, 150 mm.

**Accuracy** 1%, 1.6% (of full scale)

**Working pressure** Steady 3/4 of full scale value  
 Fluctuating 3/2 of full scale value  
 Short time full scale value

**Working temp.** -40..70°C (Max.200°C )

**Protection class** IP 55

**Bourdon tube** Stainless steel

**Socket** Stainless steel or steel

**Movement** Stainless steel

**Case** St13 Black painted

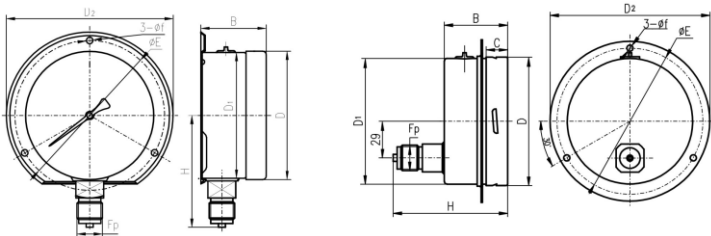
**Scale** White aluminium dial with black marking

**Pointer** Aluminium black painted

**Window** Instrument plain glass 3 mm.

**Connection** G1/2", 1/2" NPT, other threads available

**Dimensions**



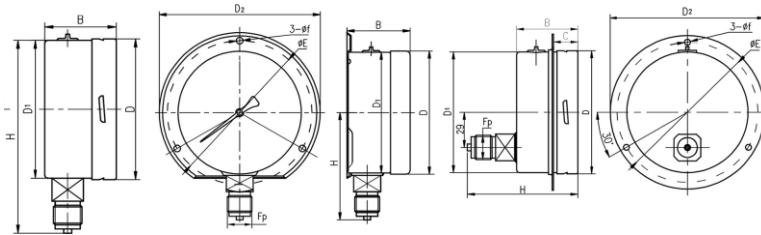
Dia.	D	D1	B	H	D2	E	f
100	101	99	50	89/86	131,5	118	5,5
100	101	99	50	90/87	128	118	5,5
150	149	147	50	118/115	180	162	6

Notes: Dimensions are mm.

**Steel Case Pressure Gauge**



**MN-C**

**Technical Specifications****Range** -1-0 Bar to 0-1000 Bar**Dial size** 63, 100, 150, 160 mm.**Accuracy** 1%, 1.6% (of full scale)**Filling liquid** Glycerin or silicon oil**Working temp.** -40 .. 70 °C (Max.200 °C)**Protection class** IP65**Bourdon tube** AISI 316 SS Stainless steel**Socket** AISI 304 SS Stainless steel**Movement** AISI 304 SS Stainless steel**Case** AISI 304 SS Stainless steel - Inside bayonet**Scale** White aluminium dial with black marking**Pointer** Aluminium black painted, with micrometric adjustment**Window** Instrument plain glass 3 mm.**Connection** G1/2", 1/2" NPT, other threads available**Dimensions**

Dia.	D	D1	B	D2	E	f
63	64	62	33			
100	101	99	50	131,5	118	5,5
150	149	147	50	128	118	5,5
160	161	159	50	180	162	6

*Notes: Dimensions are mm.***Stainless Steel Pressure Gauge****MN-P**

## Technical Specifications

**Range** -1-0 Bar to 0 -1000 Bar

**Dial size** 63, 100 ve 160 mm.

**Accuracy** 1% , 1.6% and 2.5% (of full scale)

**Filling liquid** Glycerin or silicon oil

**Working temp.** -40..70 °C (Max.200 °C)

**Protection class** Dry type IP 54, liquid filled type IP 65

**Bourdon tube** AISI 316 SS Stainless steel

**Socket** AISI 304 SS Stainless steel

**Movement** AISI 304 SS Stainless steel

**Case** Stainless steel, burst disc, pressure blow out back

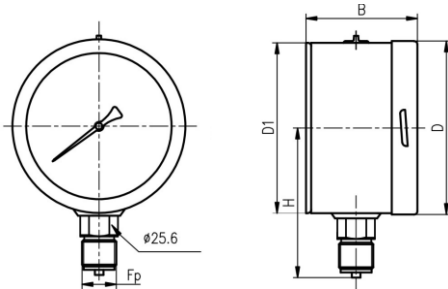
**Scale** White aluminium dial with black marking

**Pointer** Aluminium black painted, with micrometric adjustment

**Window** Laminated safety glass

**Connection** G1/2", 1/2" NPT, other threads available

## Dimensions



Dia.	D	D1	B	H
63	64	63	40	62/65
100	101	100	60	87/90
160	161	160	75	120/123

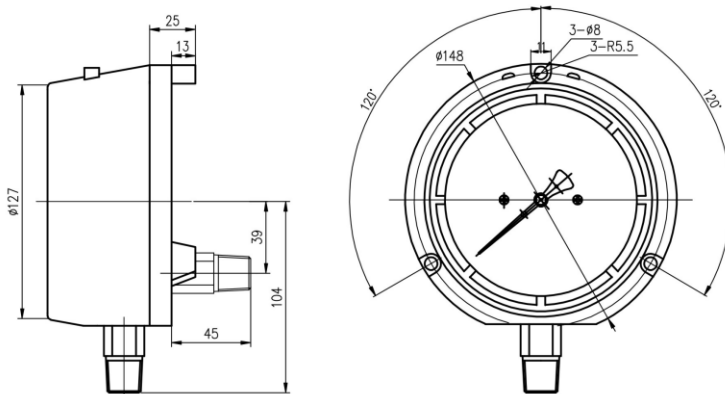
Notes: Dimensions are mm.

# Stainless Steel Pressure Gauge

Safety type



# MN-P-Sf

**Technical Specifications****Range** -1-0 Bar to 0 - 1400 Bar**Dial size** 4 1/2"**Accuracy** 0.5%, 1% (of full scale)**Filling liquid** Glycerin or silicon oil**Working temp.** -40..65 °C (Max.100 °C)**Protection class** IP65**Bourdon tube** AISI 316 SS Stainless steel or brass alloy**Socket** AISI304 SS Stainless steel or brass**Movement** AISI 304 SS Stainless steel or brass**Case** Black PP, burst disc, pressure blow out back**Scale** White aluminium dial with black marking**Pointer** Aluminium black painted, with micrometric adjustment**Window** Laminated safety glass**Connection** G1/2", 1/2" NPT, other threads available**Dimensions***Notes: Dimensions are mm.***PP Case Pressure Gauge**  
Safety type**MN-PP-Sf**

## Technical Specifications

**Range** FMN-D (with Diaphragm) 0,16 Bar to 0.6 Bar  
FMN-B (with Bourdon tube) 0..1 Bar to 0..100 Bar

**Dial size** 100, 150, 160 mm.

**Accuracy** 1,6%, 2,5% (of full scale)

**Filling liquid** Glycerin or silicon oil

**Working temperature** -20..60 °C

**Protection class** IP45, IP65

**Bourdon tube** AISI 316 SS Stainless steel or Brass

**Diaphragm** AISI 316L or AISI 316Ti Stainless steel

**Socket** AISI 304 SS Stainless steel or brass

**Movement** AISI 304 SS Stainless steel or brass

**Case** AISI 304 SS Stainless steel, bayonet ring

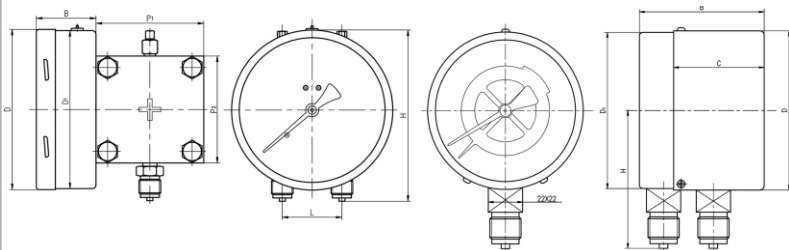
**Scale** White aluminium dial with black marking

**Pointer** Aluminium black painted, with micrometric adjustment

**Window** Laminated safety glass, organic or double layer available

**Connection** G1/2", 1/2" NPT, other threads available

## Dimensions

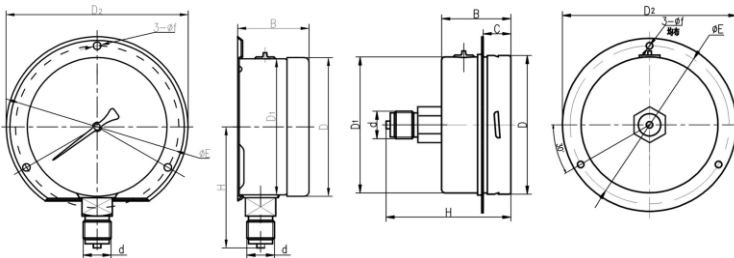


Dia.	D	D1	B	H	P1/P2	L		D	D1	B	C	H	L
100	111	97	51	141	100	54		101	99	80	58	87,5	32
150	149	147	55	158	100	54							
160								159	157	82	76	146	32

# Differential Pressure Gauge



# FMN

**Technical Specifications****Range** 2,5 mBar to 1000 mBar (Gauge pressure and vacuum)**Dial size** 100, 160 mm.**Accuracy** 1,6%, 2,5% (of full scale)**Working temperature** -20..65 °C (Max.100 °C)**Protection Class** IP65**Nullification** Micro adjustment device**Capsule** AISI 316L Stainless steel or Cu-Be**Socket** AISI 304 SS Stainless steel or Brass**Movement** AISI 304 SS Stainless steel or Brass**Case** AISI 304 SS Stainless steel Bayonet ring**Scale** White aluminium dial with black marking**Pointer** Aluminium, black painted**Window** Instrument plain glass 3 mm.**Connection** G1/2", 1/2" NPT, other threads available**Dimensions**

Dia.	D	D1	B	C	H	D2	E	f
100	101	99	50		89/86	131,5	118	5,5
100	101	99	50	18	92/89	128	118,5	5
160	160	159	50		202/199	196	178	6
160	160	159	50	20	202/199	196	178	6

*Notes: Dimensions are mm.***Kapsüllü Manometre**

**Technical Specifications**

**Range** -1 Bar to 600 Bar

**Dial size** 160 mm.

**Accuracy** 0,25%, 0,4% (of full scale)

**Working temperature** 20 +/-5 °C

**Bourdon tube** Phospore-Bronze bourdon tube

**Socket** AISI 304 SS or brass

**Movement** Brass alloy

**Case** Black painted steel or Stainless steel

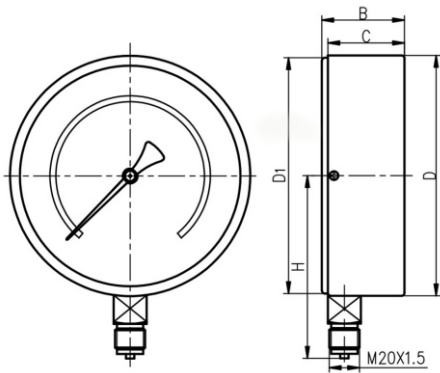
**Scale** White aluminium dial with black marking

**Pointer** 65Mo, Steel, knife end

**Window** 3 mm. Plain glass or plexiglass

**Connection** G1/2", 1/2" NPT, M20x1,5 other threads available

**Dimensions**



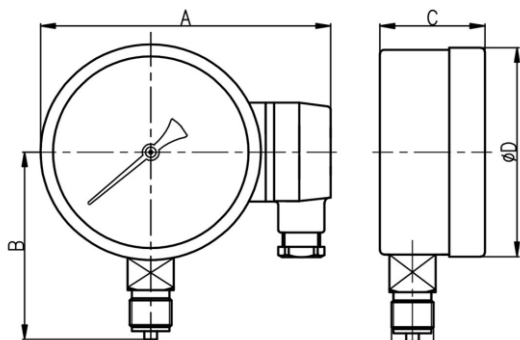
D	D1	B	C	H
160	157	55	51	122

Notes: Dimensions are mm.

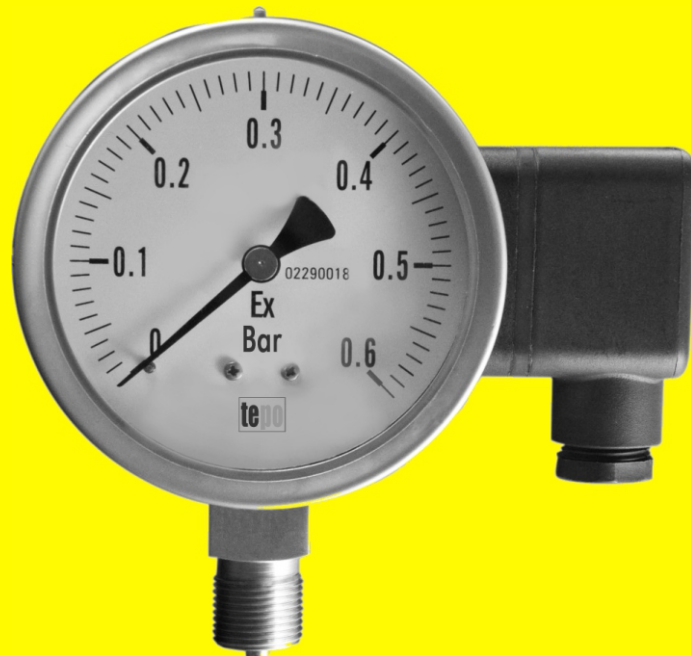
**Test Pressure Gauge**



**MN-T**

**Technical Specifications****Range** -1 Bar to 600Bar**Dial Size** 100 and 150 mm.**Accuracy** Output 0.5%, pressure gauge 1.5% of full scale**Working temperature** -10..55 °C**Supply voltage** 24 V DC**Output signal** 4..20 mA-(2 wires), 1-5 VDC-(3 wire)**Bourdon tube** Stainless steel or Phosphore-Bronze**Electronic sensor** Ceramic sensor**Case** AISI 304SS Stainless steel**Protection class** IP 54**Pointer** Aluminium, black painted**Window** Tempered glass**Connection** G1/2", 1/2" NPT, M20x1,5, other threads available**Dimensions**

Dia.	A	B	C	D
100	142	85	50	101
150	188	117	50	149

*Notes: Dimensions are mm.***Ex-Proof Pressure Transmitter****TR-MN**

### Technical Specifications

**Magnetic Contact** AC 380V, DC 220 V

**Max.Current** 1A

**Dial size** for 100 ve 150 mm.

**Control type** 1 upper or 1 lower contact, 2 upper or 2 lower contact

**Solid Contact** AC 380V, DC 220 V

**Contact type** 821

**Max.current** 1A

**Dial size** for 100, 150, 160 mm.

**Control type** N.A., N.K., 2XN.A., 2XN.K., N.A.+N.K., N.K.+N.A.

**Inductive Contact** 8 V DC, Max.voltage < 16 V DC

**Contact type** 831

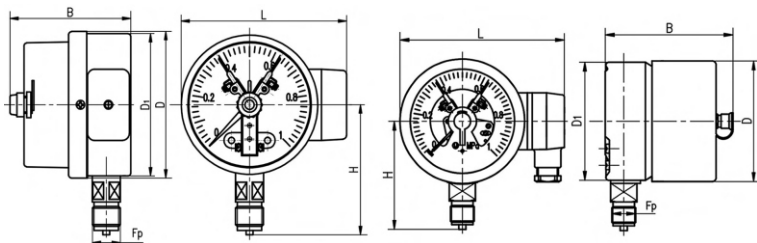
**Ex-proof class** Exib II CT6

**Max.Current** <52 mA

**Dial size** for 100, 160 mm.

**Control type** N.A., N.K., 2XN.A., 2XN.K., N.A.+N.K., N.K.+N.A.

### Dimensions



Magnetic Contact

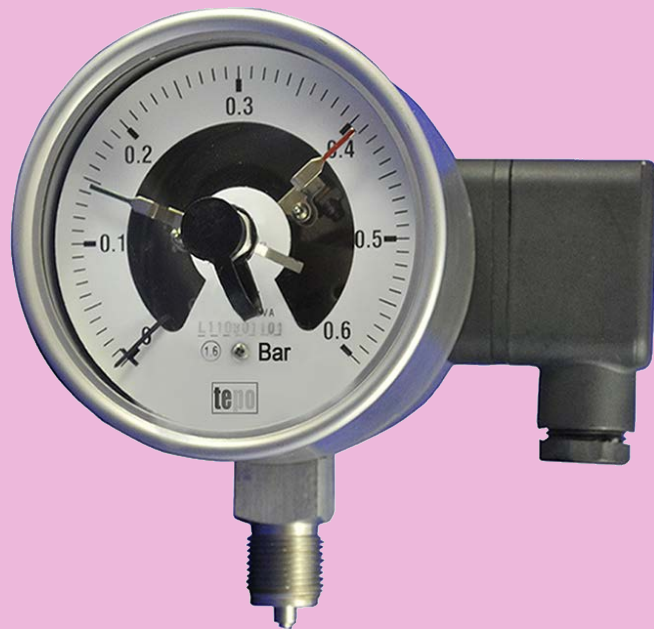
Dia.	D	D1	B	H	L
100	102	100	85	91/88	120
150	150	148	86.5	128/125	170

Solid and Inductive Contact

Dia.	D	D1	B	H	L
100	101	99	102	88/85	142
150	149	146	102	115/112	192
160	161	159	104	118/115	202

Notes: Dimensions are mm.

## Electric Contact Pressure Gauge



## Technical Specifications

**Overload protection device** Max.400 Bar and 120°C, AISI 316S

**Dampeners** Max.400 Bar and 240°C, AISI 316SS, 100% adjustable

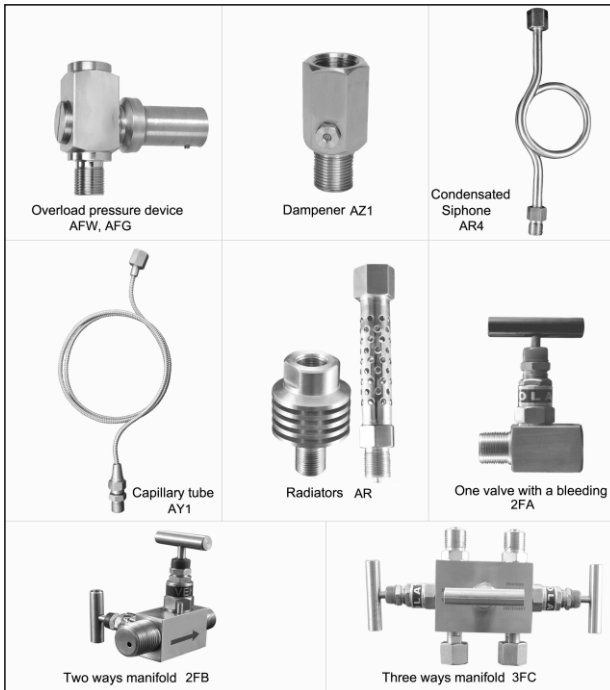
**Siphones** U and pigtail type, AISI 304SS, AISI 316SS, Steel

**Radiators** Max.600 Bar, Max. Radiation rate K200=65%

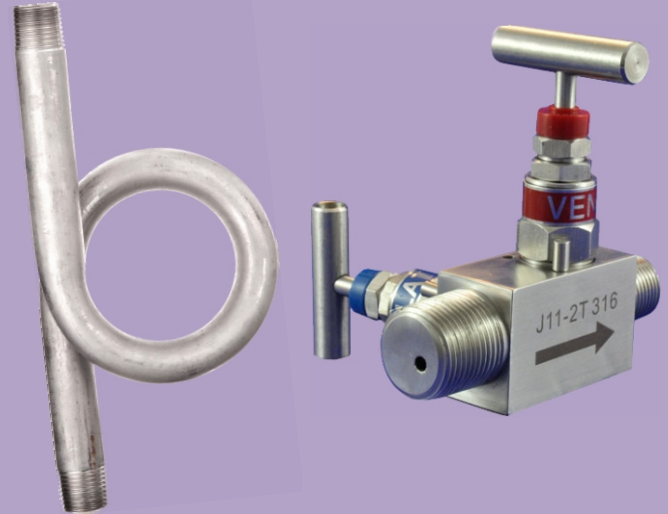
**Capillary tubes** Flexible stainless steel

**Manifolds** Two and three way manifolds, AISI 304SS, Max. 400 Bar

## Types



## Pressure Gauge Accessories



## Accessories

## Technical Specifications

**Diaphragm material** AISI 316SS, Monel, Hastelloy C, Tantalum

**Flange materials** 1Cr18Ni9Ti, AISI 316SS, AISI 316LSS, Fluoroplastic-F4

**Gasket materials** Nitrile rubber, Viton, Silicon, Fluoroplastic

**Filling liquid** Glycerin, Silicon, Fluorocarbon Oil, vegetable oil

**Temperature limits** -40 °C..+240 °C

**Mounting type** Direct or Remote (with capillary tube)

**Connection** G1/2", 1/2" NPT, sanitary type and other threads available

**Accessories** Capillary tube, Radiators, Dampeners..

## Types



## Diaphragm Seals



# DF

**Technical Specifications****Range** -50 °C to 500 °C**Dial size** 100, 127, 150 mm.**Accuracy** 1%, 1,5%, 2,5% (of full scale)**Case** AISI 304 SS Stainless steel bayonet or crimped**Immersion tube diameter** 6, 6.35, 8, 10, 12 mm.**Immersion tube material** AISI 304SS, AISI 316SS, Brass, Steel**Movement** AISI 304 SS Stainless steel**Scale** White aluminium dial with black marking**Pointer** Aluminium, black painted**Window** Instrument plain glass 3 mm.**Connection** G1/2", 1/2" NPT, sanitary type and other threads available**Contact type** Magnetic, Solid, Inductive contact**Thermowell types**Sanitary type  
TW-SBar Stock  
TW-F-DBar Stock  
TW-D-DTube  
TW-D-KTube  
TW-F-K**Bimetal Thermometer****BT**

## PRESSURE CONVERSION TABLE

	Atm.	Bar	mBar	mmHg	mmH <sub>2</sub> O	inH <sub>2</sub> O	Nm <sup>-2</sup> (Pa)	kPa	PSI (lb/in <sup>2</sup> )	Kg/cm <sup>2</sup>
1 Atm.	1.000	1.013	1013.3	760.00	1033.0	406.80	1.013x10 <sup>5</sup>	101.31	14.700	1.033
1 Bar	0,987	1.000	1000.0	750.00	1.02 x10 <sup>4</sup>	401.00	1 x10 <sup>5</sup>	100.00	14.500	1.020
1 mbar	9.869 x10 <sup>-4</sup>	0.001	1.000	0.750	10.197	0.402	100.00	0.100	1.45 x10 <sup>-2</sup>	1.02 x10 <sup>-3</sup>
1 mmHg	0.132	1.333 x10 <sup>-3</sup>	1.333	1.000	13.590	0.535	133.30	0.130	1.934 x10 <sup>-2</sup>	1.3 x10 <sup>-3</sup>
1 mmH <sub>2</sub> O	9.677 x10 <sup>-5</sup>	9.80 x10 <sup>-5</sup>	0.098	7.354 x10 <sup>-2</sup>	1.000	3.394 x10 <sup>-2</sup>	9.807	9.807 x10 <sup>-3</sup>	1.42 x10 <sup>-3</sup>	1.0 x10 <sup>-4</sup>
1 inH <sub>2</sub> O	2.458 x10 <sup>-3</sup>	2.491	2.491 x10 <sup>-3</sup>	1.868	25.400	1.000	2.491 x10 <sup>2</sup>	2.491 x10 <sup>-1</sup>	3.613 x10 <sup>-2</sup>	2.54 x10 <sup>-3</sup>
1 Nm <sup>-2</sup> (Pa)	9.87 x10 <sup>-6</sup>	1 x10 <sup>-5</sup>	0.010	7.5 x10 <sup>-3</sup>	0.10	4.01 x10 <sup>-3</sup>	1.000	0.001	1.45 x10 <sup>-4</sup>	1.02 x10 <sup>-5</sup>
1 kPa	9.87 x10 <sup>-3</sup>	0.010	10.000	7.500	100.0	4.010	1 x10 <sup>3</sup>	1.000	0.145	1.02 x10 <sup>-2</sup>
1 PSI (lb/in <sup>2</sup> )	6.805 x10 <sup>-2</sup>	6.895 x10 <sup>-2</sup>	68.950	51.710	703.00	27.680	6.985 x10 <sup>3</sup>	6.985	1.000	7.03 x10 <sup>-2</sup>
Kg/cm <sup>2</sup>	0.968	0.981	980.7	7.356 x10 <sup>2</sup>	1 x10 <sup>4</sup>	393.7	9.807 x10 <sup>4</sup>	9.807	14.220	1.000

### FOR PRESSURE GAUGE ORDER

- Contact principle (option)
- Contact type (option)
- Model number,
- Dial size ,
- Case (Inside bayonet, Bayonet or crimped )
- Range and Pressure unit,
- Dry or Liquid filled,
- For Panel mounting ; Front Flange or Back Flange
- Mounting type (Back, Bottom)
- Thread,
- Accuracy,
- If necessary; accessories, special scale (option)

### FOR THERMOMETER ORDER

- Contact principle (option)
- Contact type (option)
- Model number,
- Dial size ,
- Case (Inside Bayonet, Bayonet or crimped )
- Range and Temperature unit (°C or °F)
- Mounting type (Back, Bottom or Every angle)
- Thread,
- Immersion length and diameter,
- Accuracy,
- If necessary; thermowell, special scale (option..)

**tepo**

*"It's accurate measure, unerring"*

**teknopoli** Teknik Ürünler

Eryaman AVM 2.Cadde No:11/30  
06793 Etimesgut/Ankara-TR

info@teknopoli.com

info@tepometre.com

http: www.teknopoli.com

http: www.tepometre.com

**Tel** : 0 312 279 44 51

**Fax**: 0 312 279 44 58